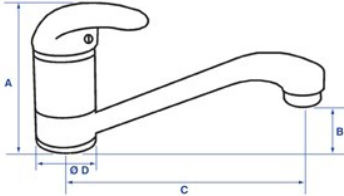




## Monobloc Sink Mixer

### Sink Mixer



Code	Description	A	B	C	D
4J4011	MONOBLOC SINK MIXER	130	115	235crs	50

*Pegler Yorkshire reserve the right to change specifications*

### 5 Year Guarantee

#### Luxury Taps and Mixers

#### Pegler Yorkshire Customcare 5 Year Guarantee - Terms and Conditions

Product are subject to a 5 year guarantee that is between Pegler Yorkshire and the final purchaser of the product.

The guarantee is subject to proof of purchase being supplied.

This guarantee does not affect any statutory rights the consumer may have in law.

The guarantee covers manufacturing or material defects and does not cover parts subject to normal wear and tear.

Finishes other than chrome are covered for a period of 3 years only and the guarantee on the finish is subject to the cleaning instructions being followed.

The guarantee is not applicable where the product is fitted contrary to the conditions in the fitting instructions.

Abusive behaviour and accidental damage to the product are not covered by this guarantee.

The extent of this liability is limited to the cost of the replacement of the defective item and not to fitting or consequential damages.

Description	Minimum Operating Pressure (bar)	Maximum Cold Working Pressure (bar)	Maximum Hot Working Pressure (bar)
Monobloc Sink Mixer	0.1 bar	6.0 bar at temperatures up to 85oC	Not Suitable for Maximum Hot Working Pressure

#### Care

To maintain the surface finish, simply wipe occasionally with a mild detergent on a soft damp cloth. Dry, using a soft cloth. Never use abrasive cleaners or chemical household cleaners and avoid contact with concentrated bleach.

#### Maintenance

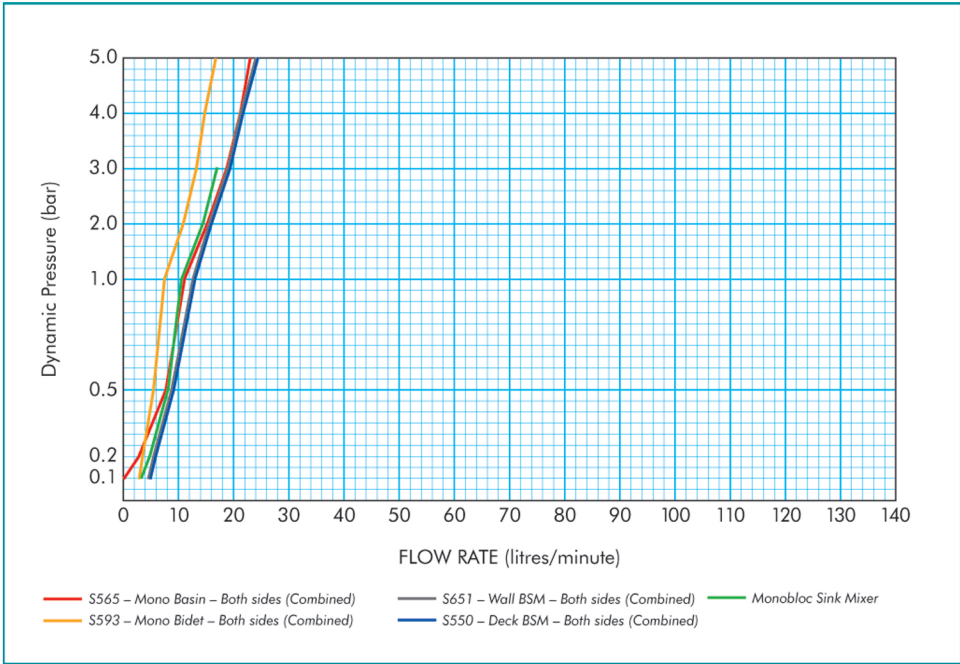
No regular maintenance is required for this product.

In case of complete replacement Pegler recommend service valves should be fitted to the supply inlets.

For any further help or replacement parts please contact the Service Support Team on 0800 1560050.

#### Regulations

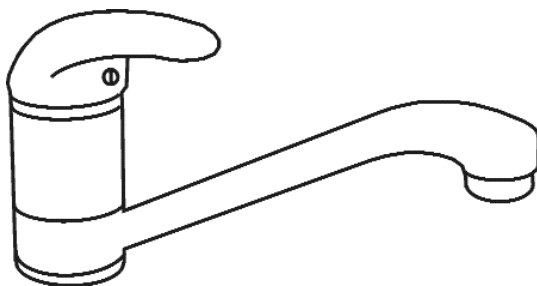
It is important to ensure that the water supplies to your shower are connected in accordance with the water regulations (WRAS) requirements and good plumbing practice.



Your Guide to the installation, care  
and maintenance of

# Peglerflow

## Monobloc Singleflow Sink Mixer



4J4011

Monobloc with Swivel Spout

**PL** **PERFORMA**

Pegler Limited, St. Catherine's Avenue, Doncaster, South Yorkshire. DN4 8DF  
Telephone: 01302 560560 Fax: 01302 367661

## **BEFORE STARTING**

Thoroughly flush pipework.

It is our recommendation and good plumbing practice that water supplies to the mixers should have equal pressure.

It is necessary to fit these products in accordance with WRAS water supply (water fittings) 1999 & water bylaws 2000 (Scotland).

## **PRE INSTALLATION CHECKS**

1. Ensure that there is sufficient space to install the product without hampering its operation.
2. Ensure that the outlet will protrude sufficiently into the sink and will clear any obstructions.

## **OPERATING PRESSURES**

0.3 bar min to 6.0 bar max

In domestic premises it is permissible to install the mixers on unbalanced pressures (separate sources) provided that single check valves are fitted immediately upstream of both hot and cold inlets. However, it is our recommendation and good plumbing practice that the hot and cold supply pressures to the mixer be equal (balanced) to ensure the temperature of the mixed water remains stable in the event of draw offs being experienced at other points.

## **REMOVING YOUR OLD TAPS**

1. Make sure the water supply to your taps is switched off.
2. Turn on the taps to drain the pipework.
3. Unscrew the nuts which connect the taps to pipework and remove the taps.

## **FITTING YOUR NEW TAPS**

1. Screw in both the threaded studs.
2. Screw in both flexible tails, ensuring 'o' ring seals are in place.
3. Place fitting through hole in ware ensuring that the 'o' ring seal in base of fitting is placed around the hole.

4. Underneath the ware first place rubber seal over the two studs and then the clamping plate.
5. Hold in place and firmly tighten to ware using the two nuts provided.
6. Install check valves if required.
7. Connect tap to water supply.
8. Turn back on water supply and check for leaks
9. Lift single lever handle and check for flow.  
Please note in excessively high water pressure areas "splash back" can be limited through the fitting of the aerator which is supplied loose in the box.
10. Unscrew chrome outlet and remove flow straighter and rubber seal.
11. Insert aerator back into outlet then seal. Screw back into spout of tap.
12. Check once more for leaks.

## CARE AND MAINTENANCE

To maintain the surface simply wipe occasionally with a non abrasive detergent on a soft damp cloth and dry using a soft cloth. Never use abrasive household cleaners or chemical products. Avoid contact with concentrated bleach.

Pegler products are manufactured to the highest standards and should require little or no maintenance. In the unlikely event of any spare part requirements, please contact your nearest stockist or Pegler Limited, St Catherine's Avenue, Doncaster, South Yorkshire. DN4 8DF

Or contact us on the following numbers:

Northern Team

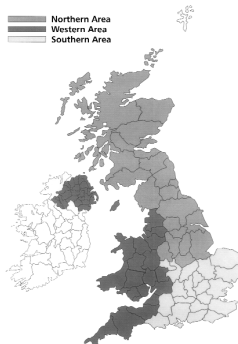
Tel: 0870 1200281 Fax: 01302 560108

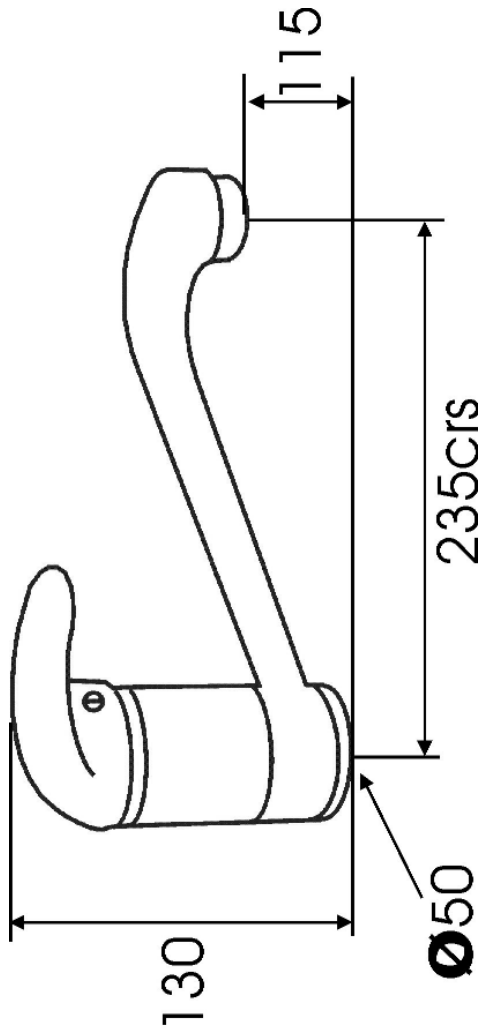
Southern Team

Tel: 0870 1200282 Fax: 01302 560458

Western Team

Tel: 0870 1200283 Fax: 01302 560109





# WRAS<sup>®</sup>

Water Regulations Advisory Scheme

*This certifies that*

**PEGLER YORKSHIRE GROUP LTD.**

*has had the undermentioned product examined, tested and found, when correctly installed, to comply with the requirements of the United Kingdom Water Supply (Water Fittings) Regulations/Scottish Water Byelaws.*

**4J4011 PEGLERFLOW COMBINATION TAP ASSEMBLY**

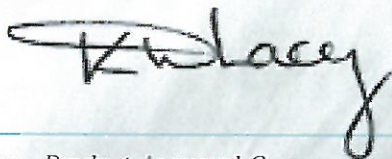
*This certificate by itself is not evidence of a valid WRAS Approval. Confirmation of the current status of an approval must be obtained from the WRAS Directory ([www.wras.co.uk/directory](http://www.wras.co.uk/directory))*

*The product so mentioned will be listed in the Water Fittings and Materials Directory for a period until:*

**30 SEPTEMBER 2018**

**1309029**

*Certificate No.*



*Chairman, Product Approval Group*



*Secretary*

**WRAS**  
**APPROVED  
PRODUCT**